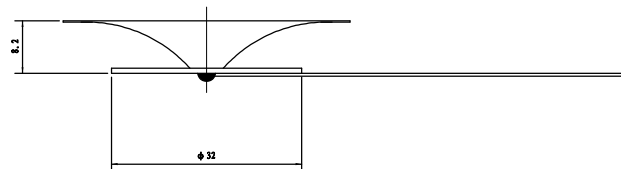
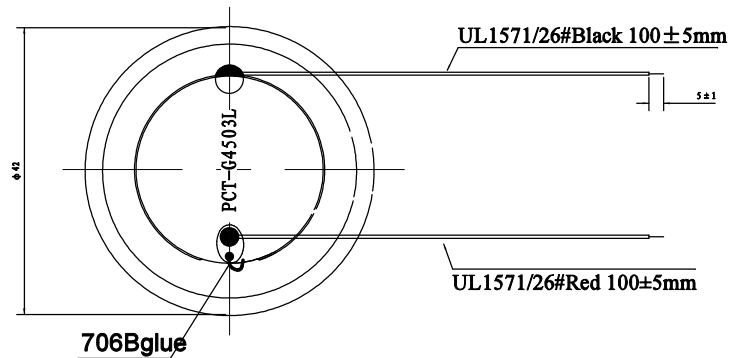


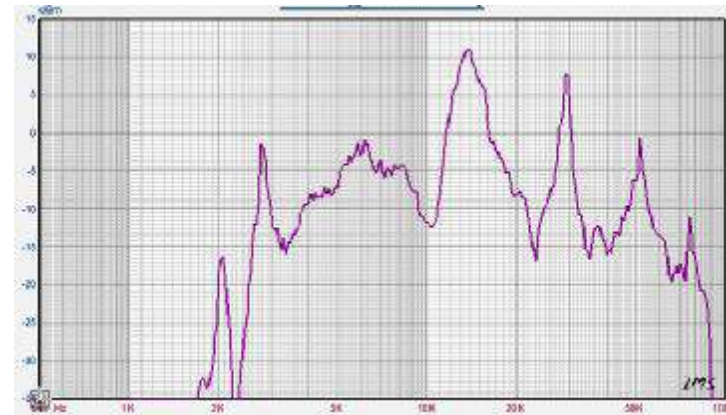
受 控

SPECIFICATION

1. Rated Voltage12Vp-p Square Wave
2. Maximum input Voltage60Vp-p Square Wave/max.
3. Min.Sound Pressure Level 92±4dB at 4.2Vrms Sine Wave /1-5KHz/30cm
4. Resonant Frequency1~5KHz
5. Capacitance at 100Hz.....170nF±20%
6. Case MaterialPET
7. Operating Temperature-30~+60℃
8. Store Temperature-40~+60℃
9. Weight4.5g



Sound pressure VS Frequency



备注：O水平：97dB

No.	DESCRIPTION	MENDER	DATE
<small>TOLERANCES UNLESS NOTED OTHERWISE</small> X * XXX ± ** FORMED ±° ANGLE ±°		APPROVALS DRAWN: [Signature] CHECKED: [Signature] APPROVED: [Signature]	DATE: 16.02.02

Compliance with ROHS			
KEPO NINGBO KEPO ELECTRONIC CO.,LTD http://www.chinaacoustic.com			
Magnetic Transducer QUARTZ PCT-G4503L-K10753			
UNIT: mm		DWG NO. OEM10753RG	
SCALE: NOT TO SCALE		SHEET: []	VER: 1.0